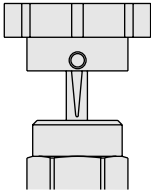


DIRECTIONAL CONTROLS

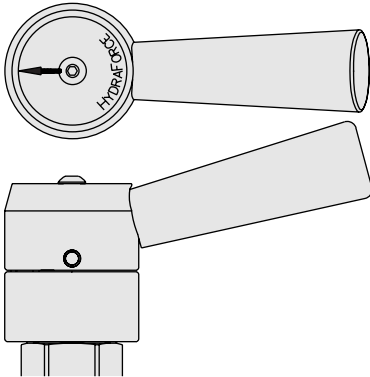
Operator Options - MR Series

2-POSITION, 90° ROTATION, POINTER IN-LAY

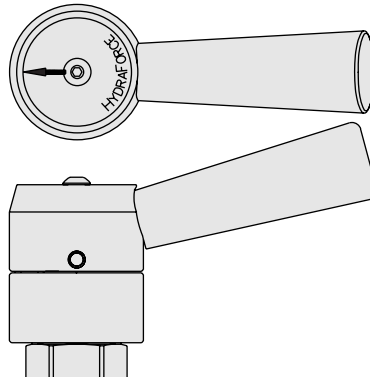
Plastic Knob
Pointer In-Lay
Kit P/N 5341010



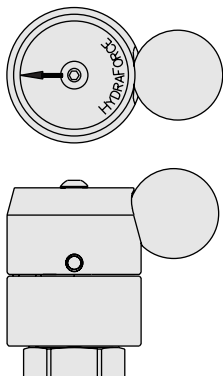
Lever Handle
Friction Lock
Kit P/N 5342020



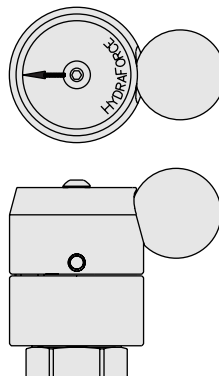
Lever Handle
2-Position Detent
Kit P/N 5342030



Ball Handle
Friction Lock
Kit P/N 5342050



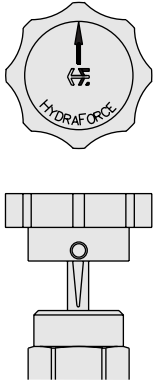
Ball Handle
2-Position Detent
Kit P/N 5342060



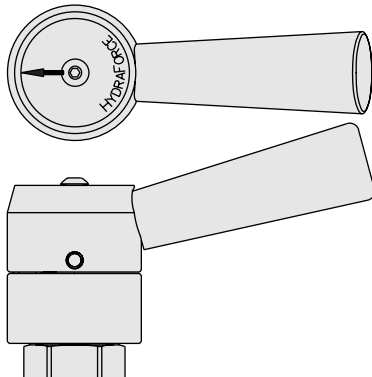
Operator Options - MR Series

3-POSITION, 45°-0-45° ROTATION, POINTER IN-LAY

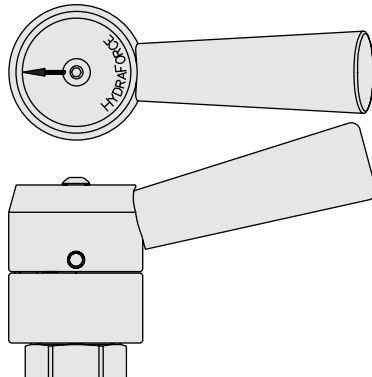
**Plastic Knob
Pointer In-Lay
Kit P/N 5341010**



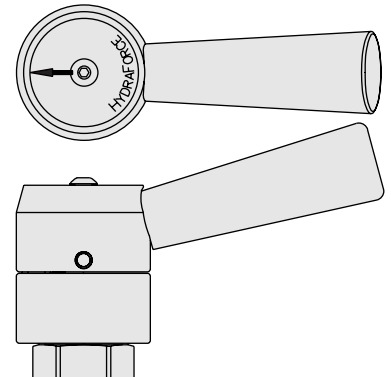
**Lever Handle
Friction Lock**
Kit P/N 5343020**



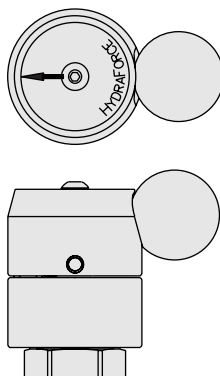
**Lever Handle
3-Position Detent
Kit P/N 5343030**



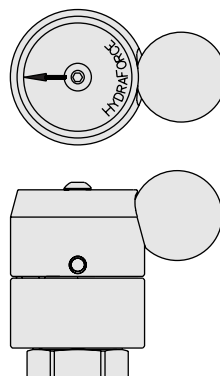
**Lever Handle
Spring Return
Kit P/N 5343040**



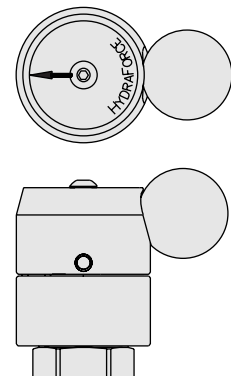
**Ball Handle
Friction Lock**
Kit P/N 5343050**



**Ball Handle
3-Position Detent
Kit P/N 5343060**



**Ball Handle
Spring Return
Kit P/N 5343070**



**Detented on neutral.